

Receiver

From

Company
Reference
Address
Phone
Fax
E-mail

Item no. Customer pos. no.:

60179395

Model:

JETINOX 102 T IE3

Pump data

Pressure rating : 0,8 MPa
Min. fluid temperature : 0 °C
Max. fluid temperature : 35 °C
Max. Temperature operating : 40 °C

Priming capacity :

H	m	2	3	4	5	6	7	8	9
Q	m³/h	3,06	2,82	2,46	2,28	2,04	1,68	1,38	1,08

Requested data

Flow :
Head :
Fluid : Water
Fluid Temperature : 20 °C
Density : 998,3 kg/m³
Kinematic viscosity : 1,005 mm²/s
Dampspanning : 0,00 MPa

Hydraulic data (duty point)

Flow :
Head :

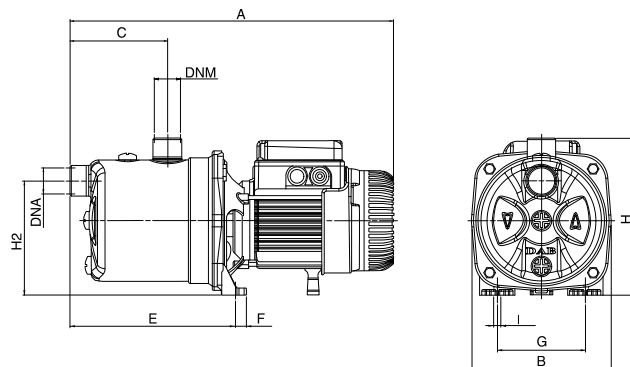
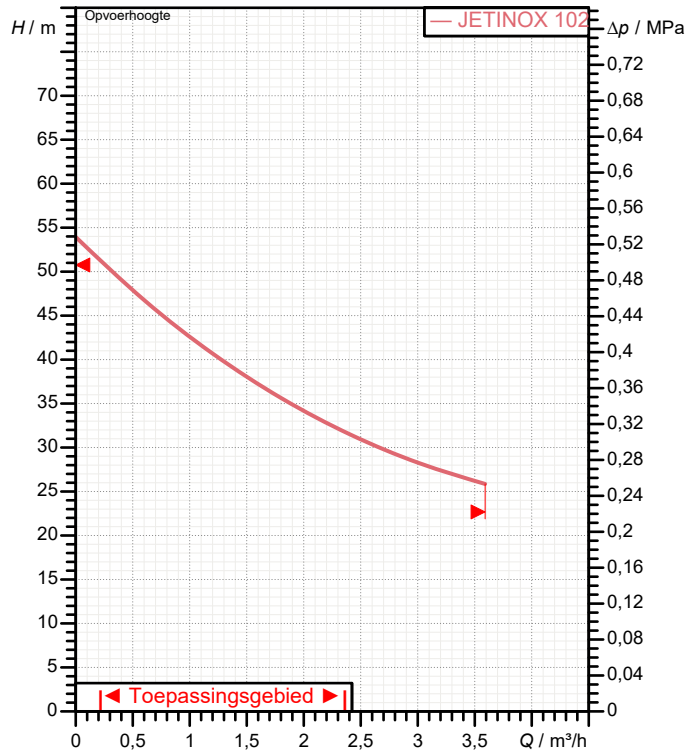
Materials

Pump body : AISI 304 X5 Cr Ni 1810 UNI 6900/71
Disc seal : AISI 304 X5 Cr Ni 1810 UNI 6900/71
Impeller : Technopolymer A
Mechanical seal : Carbon/Ceramic
O-Ring : NBR Rubber
Shaft with rotor : AISI 416 X12 CrS 13 UNI 6900/71
Nozzle venturi diffuser assembly : Technopolymer A

Motor data

Merk : DAB
Nominal power P2 : 0,75 kW
Rated speed : 2.800 1/min
Rated voltage : 3~ 230 V 50 Hz
Nominal current : 3,4 A
Degree of protection : IP 44

Curve tolerance according to ISO 9906



Dimension mm

A	440	DNM	1"G	H	197		
B	174	E	207	H2	144		
C	122	F	14	I Ø	9		
DNA	1"G	G	111				

Gewicht: 9,7 kg

Pump connection

Suction side : 1" G / 0,8 MPa
Discharge side : 1" G / 0,8 MPa



PERFORMANCE CURVES

2023-08-24

Pagina 2 / 3

DAB PUMPS S.p.A.
Via Marco Polo, 14 - 35035 Mestrino (PD), Italy
Tel. +39 049 5125000 - Fax +39 049 5125950
www.dabpumps.com

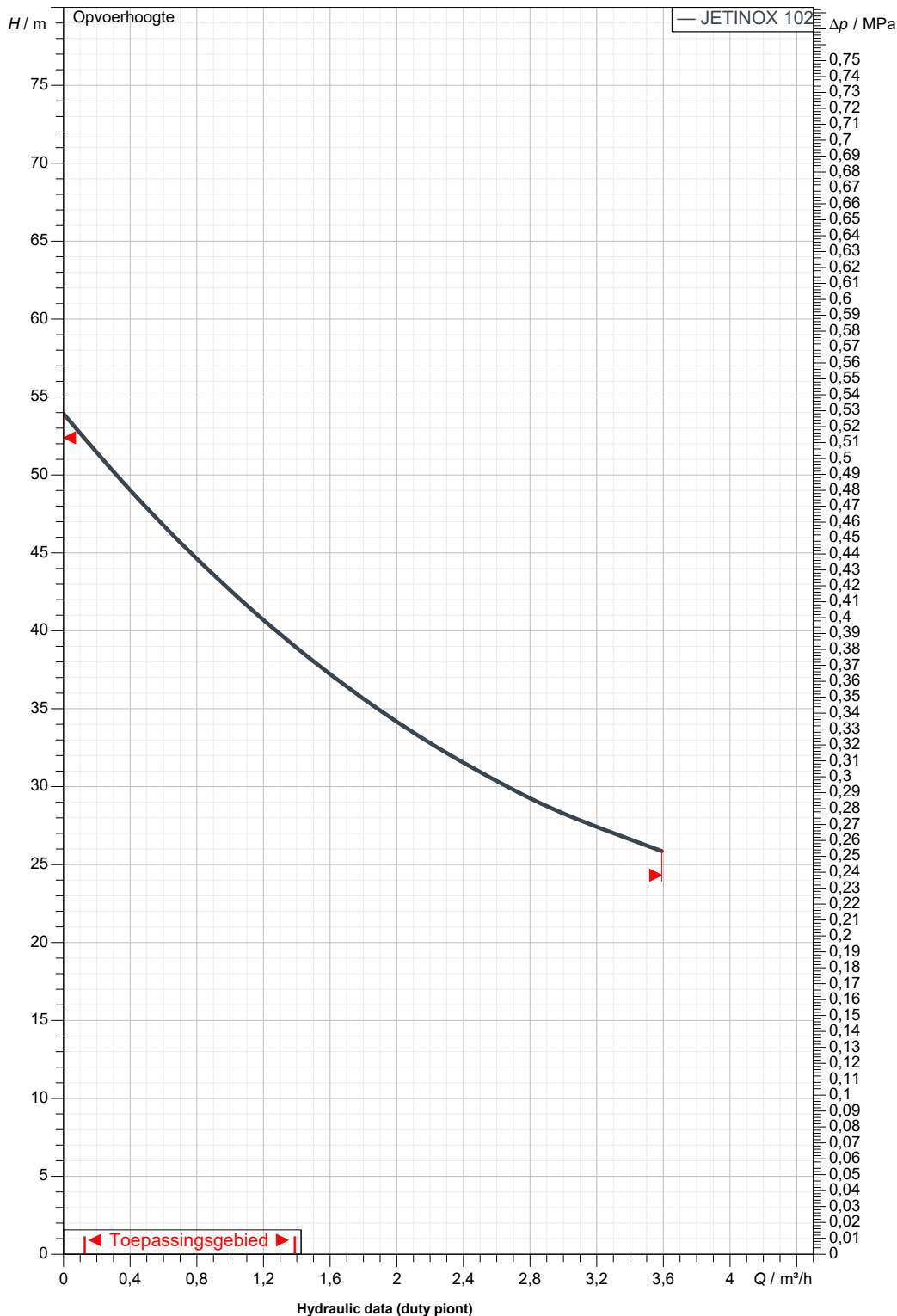
Receiver

From

Company
Reference
Address
Phone
Fax
E-mail

JETINOX 102 T IE3

Curve tolerance according to ISO 9906



Suction side
1" G
0,8 MPa

Discharge side
1" G
0,8 MPa

Flow :

Head :

Rated speed:
2.800 1/min

MAIN_PROJECT_TITLE

BUSINESS_PROCESS_ID

OWNER_

ISSUE_DATE

2023-08-24



DIMENSIONAL DRAWING

2023-08-24

Pagina 3 / 3

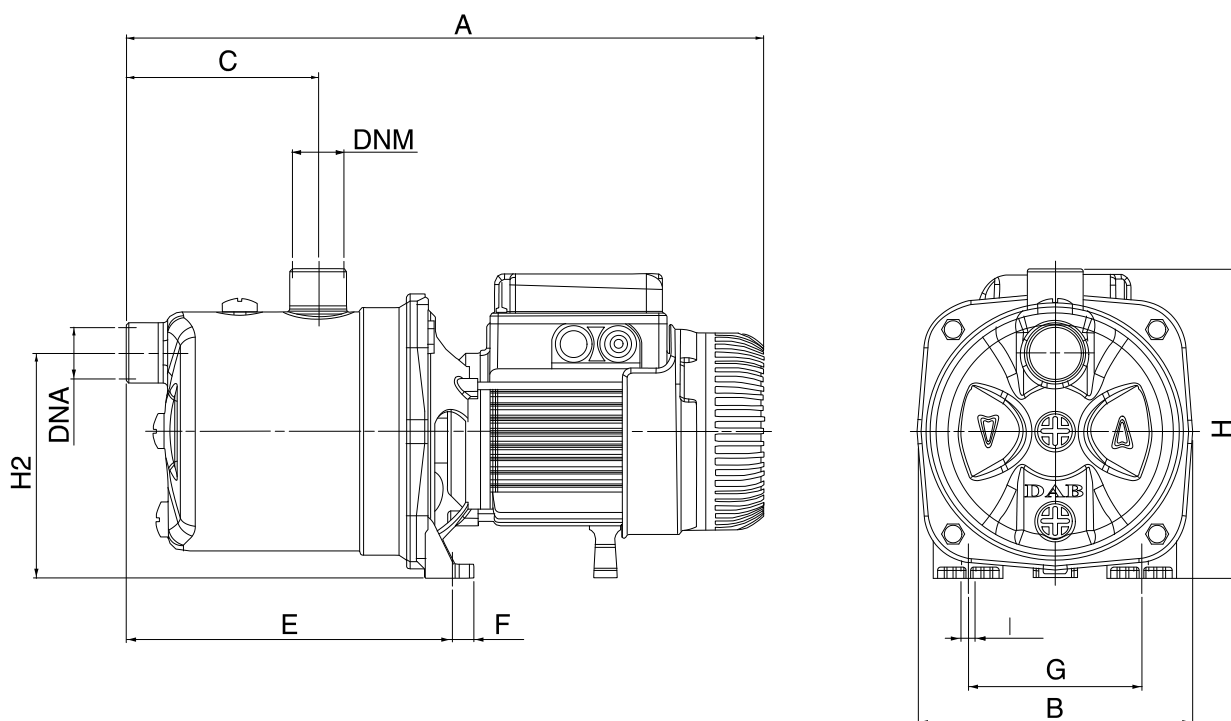
DAB PUMPS S.p.A.
Via Marco Polo, 14 - 35035 Mestrino (PD), Italy
Tel. +39 049 5125000 - Fax +39 049 5125950
www.dabpumps.com

Receiver

From

Company
Reference
Address
Phone
Fax
E-mail

JETINOX 102 T IE3



Dimensions in mm

Pump connection

1	A	440					
2	B	174					Suction
3	C	122					1" G
4	DNA	1" G					0,8 MPa
5	DNM	1" G					
6	E	207					Discharge
7	F	14					1" G
8	G	111					0,8 MPa
9	H	197					
10	H2	144					
11	I Ø	9					

MAIN_PROJECT_TITLE

BUSINESS_PROCESS_ID

OWNER

ISSUE_DATE

2023-08-24