

**Receiver**

**From**

Company  
Reference  
Address  
Phone  
Fax  
E-mail

**Item no.** 60208444  
**Customer pos. no.:**

**Model:**  
DIVERTRON X 650 M

**Pump data**

Pressure rating :  
Min. fluid temperature : 0 °C  
Max. fluid temperature : 40 °C  
Max. Temperature operating :

**Requested data**

Flow :  
Head :  
Fluid : Water  
Fluid Temperature : 20 °C  
Density: 998,3 kg/m³  
Kinematische viscositeit: 1,005 mm²/s  
Dampspanning: 0,00234 MPa

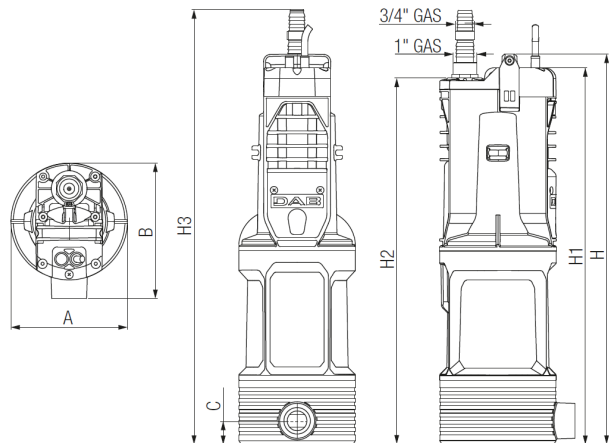
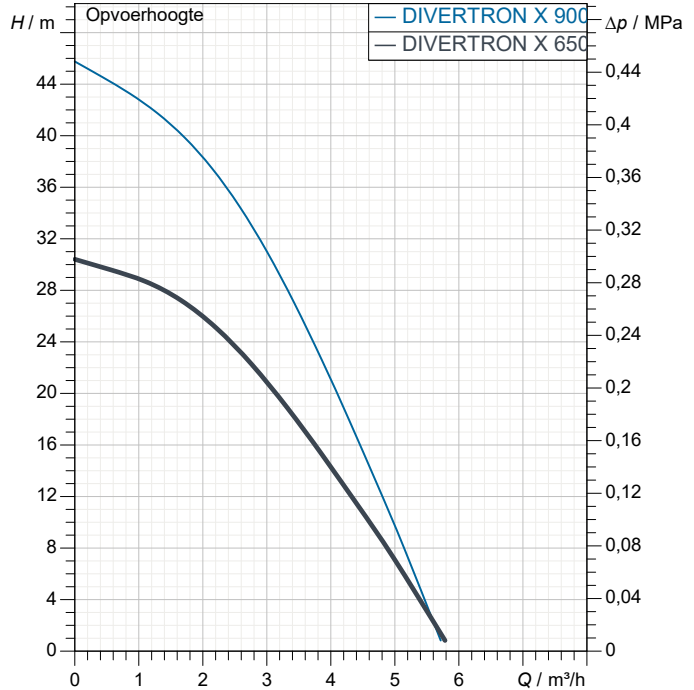
**Hydraulic data (duty point)**

Flow :  
Head :

**Materials**

Pomphuis Technopolymer  
Impeller Technopolymer/AISI 304  
Diffuser Technopolymer  
O-Ring EPDM  
Base Technopolymer  
Motor shaft Stainless Steel AISI 416  
Motor top body Stainless Steel AISI 304

Curve tolerance according to ISO 9906



**Motor data**

Merk : DAB  
Nominal power P2: 0,42 kW  
Rated voltage : 1~ 220-240 V 50 Hz  
Nominal current : 2,9 A  
Number of poles : 2  
Rated speed: 2.800 1/min  
Degree of protection : IP 68

**Gewicht:** 9,5 kg

**Dimension mm**

A	160				
B	186				
C	33				
H	488				
H1	469				
H2	455				
H3	548				

**Pump connection**

Suction side /  
Discharge side 1" G / --



# PERFORMANCE CURVES

2023-08-24

Pagina 2 / 3

DAB PUMPS S.p.A.  
Via Marco Polo, 14 - 35035 Mestrino (PD), Italy  
Tel. +39 049 5125000 - Fax +39 049 5125950  
www.dabpumps.com

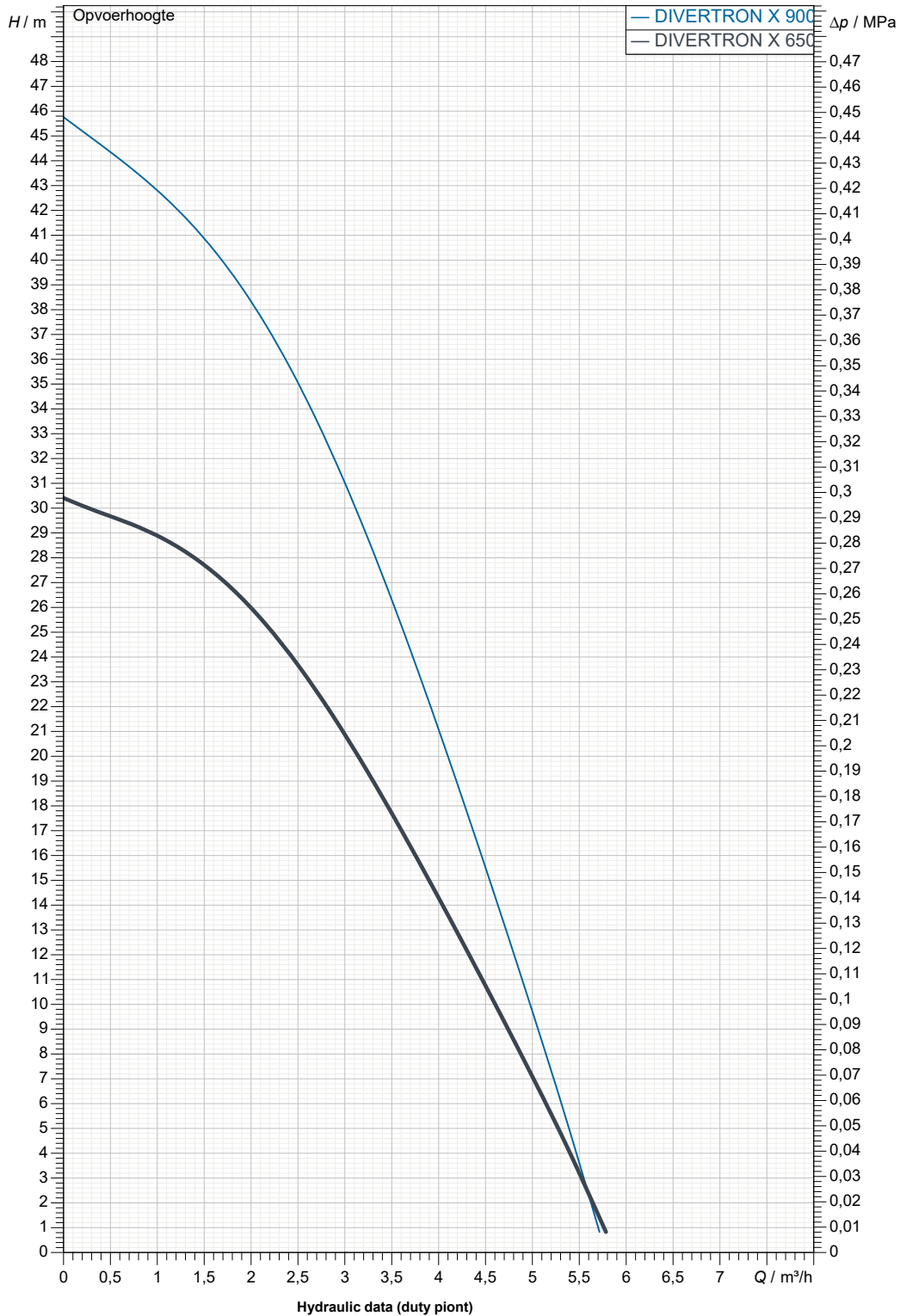
Receiver

From

Company  
Reference  
Address  
Phone  
Fax  
E-mail

## DIVERTRON X 650 M

Curve tolerance according to ISO 9906



Suction side	Discharge side 1" G --	Flow :	Head :	Rated speed: 2.800 1/min
MAIN_PROJECT_TITLE	BUSINESS_PROCESS_IC	OWNER_	ISSUE_DATE 2023-08-24	



# DIMENSIONAL DRAWING

2023-08-24

Pagina 3 / 3

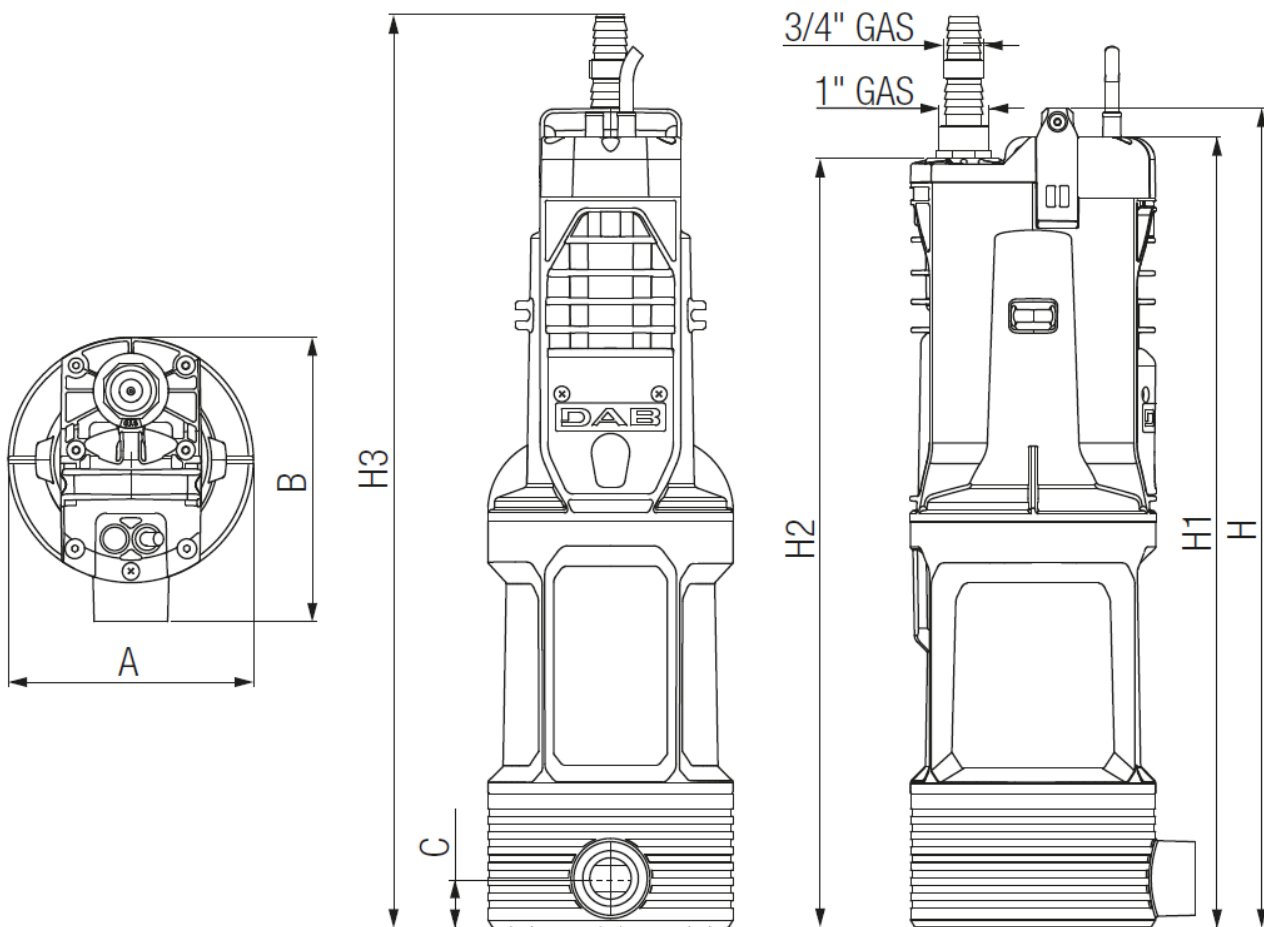
DAB PUMPS S.p.A.  
Via Marco Polo, 14 - 35035 Mestrino (PD), Italy  
Tel. +39 049 5125000 - Fax +39 049 5125950  
www.dabpumps.com

Receiver

From

Company  
Reference  
Address  
Phone  
Fax  
E-mail

## DIVERTRON X 650 M



Dimensions in mm			Pump connection			
1	A	160				Suction
2	B	186				
3	C	33				
4	H	488				Discharge
5	H1	469				
6	H2	455				
7	H3	548				
8						1" G
9						-
10						
11						

MAIN_PROJECT_TITLE	BUSINESS_PROCESS_ID	OWNER	ISSUE_DATE 2023-08-24
--------------------	---------------------	-------	--------------------------