

Receiver

From

Company
Reference
Address
Phone
Fax
E-mail

Item no. 60186047
Customer pos. no.:
Model: EVOSTA2 40-70/130 1/2"

Pump data
Pressure rating : 1 MPa
Min. fluid temperature : -10 °C
Max. fluid temperature : 110 °C
EEI : ≤ 0,18

Minimum suction head :
Temperatuur: °C 90
Minimum suction head : m 10

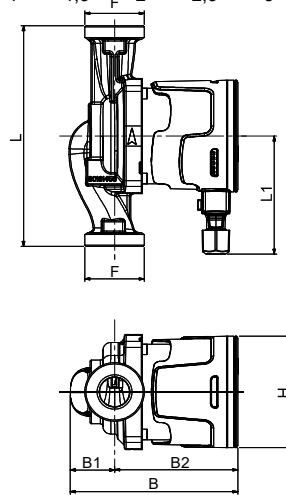
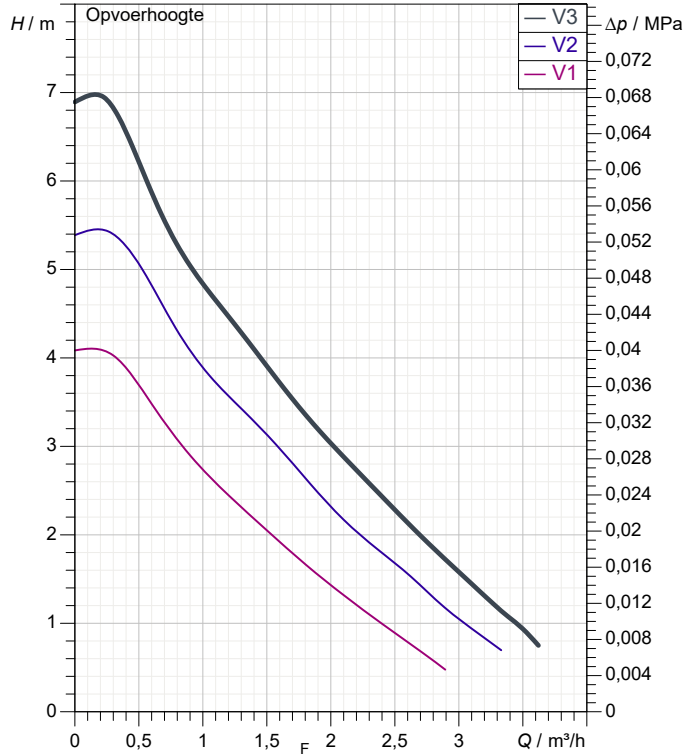
Requested data
Flow :
Head :
Fluid (%) :
Fluid Temperature : 20 °C
Density: 998,3 kg/m³
Kinematische viscositeit: 1,005 mm²/s
Dampspanning: 0,00 MPa

Hydraulic data (duty piont)
Flow :
Head :

Materials
Stator jacket : AISI 316
Impeller : Ultrason
Shaft : Alumina
Bearing housing : Brass
Bushing : Alumina
Rotor : Fe
Axial bearing : Graphite

Motor data
Merk : DAB
Power input P1 : 0,035 kW
Rated voltage : 1~ 230 V 50 Hz
Nominal current : 0,32 A
Degree of protection : IP X5

Curve tolerance according to ISO 9906



Dimension		mm					
B	134,6	L1	96				
B1	35,5						
B2	99,1						
F	1"						
H	91						
L	130						
Gewicht:		1,86 kg					
Pump connection							
Suction side		1" G					
Discharge side		1" G					



PERFORMANCE CURVES

2023-08-24

Pagina 2 / 3

DAB PUMPS S.p.A.
Via Marco Polo, 14 - 35035 Mestrino (PD), Italy
Tel. +39 049 5125000 - Fax +39 049 5125950
www.dabpumps.com

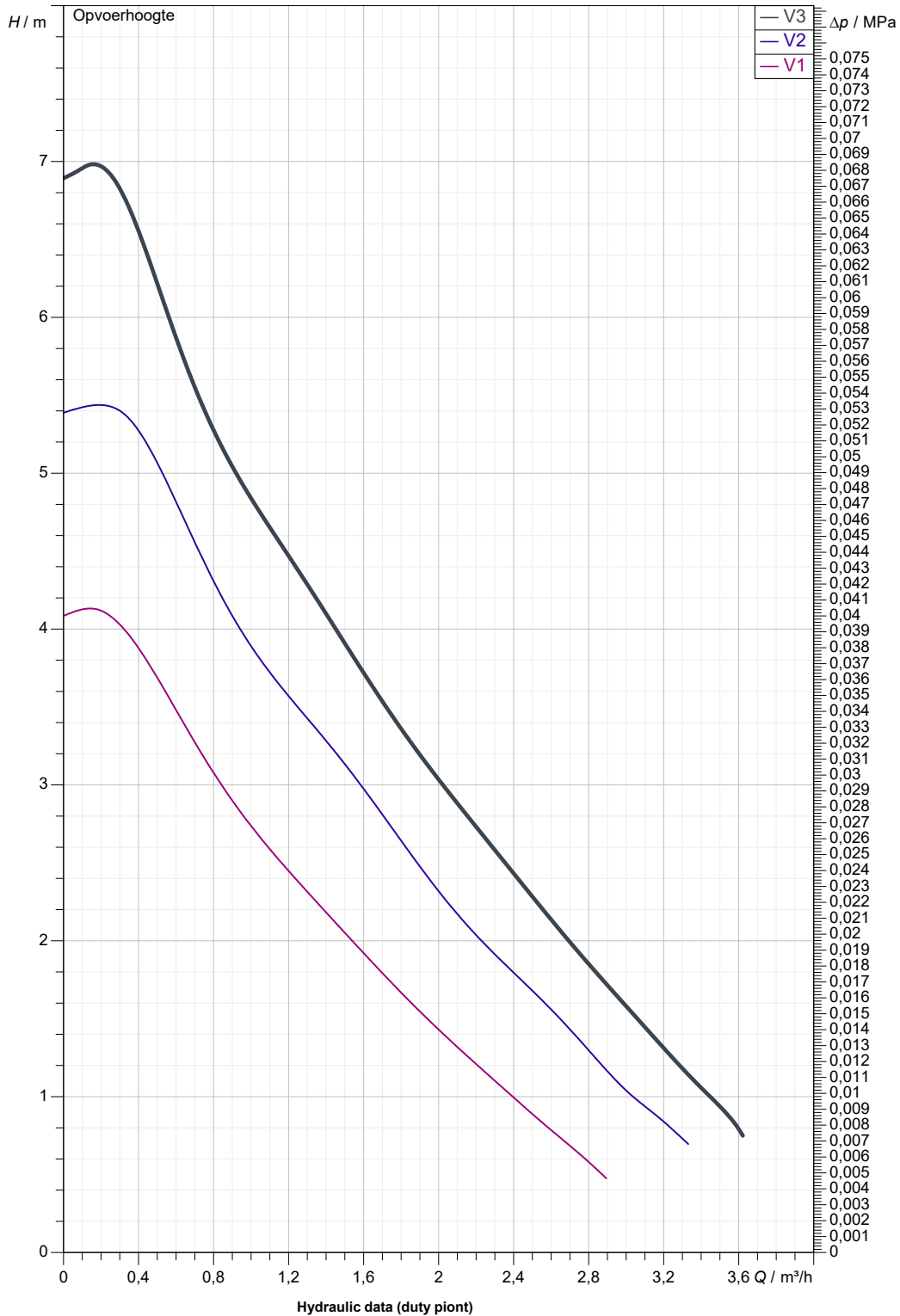
Receiver

From

Company
Reference
Address
Phone
Fax
E-mail

EVOSTA2 40-70/130 1/2"

Curve tolerance according to ISO 9906



Suction side 1" G 1 MPa	Discharge side 1" G 1 MPa	Flow :	Head :	Rated speed: 2.900 1/min
MAIN_PROJECT_TITLE	BUSINESS_PROCESS_ID	OWNER_	ISSUE_DATE 2023-08-24	



DIMENSIONAL DRAWING

2023-08-24

Pagina 3 / 3

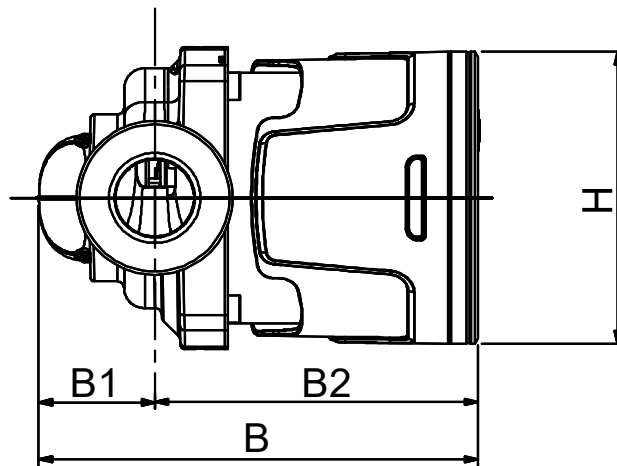
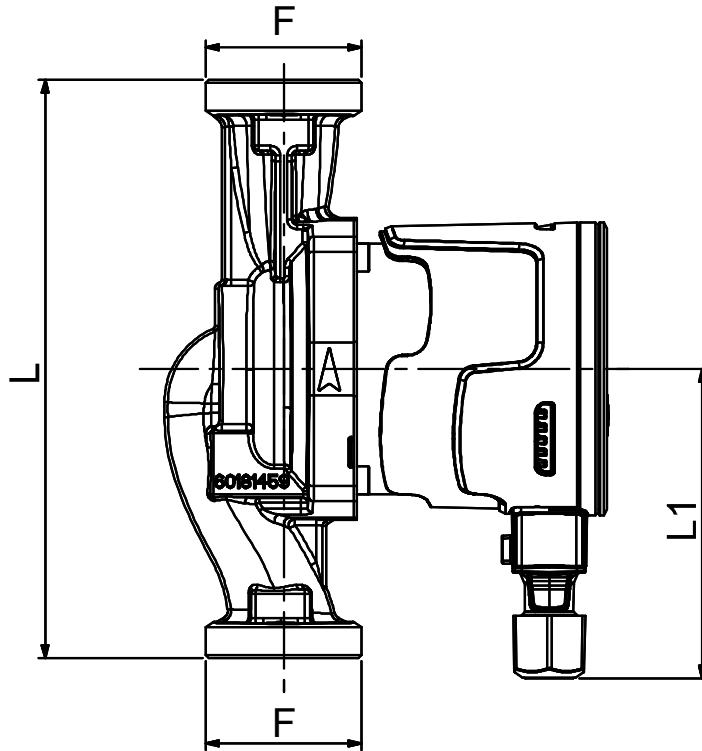
DAB PUMPS S.p.A.
Via Marco Polo, 14 - 35035 Mestrino (PD), Italy
Tel. +39 049 5125000 - Fax +39 049 5125950
www.dabpumps.com

Receiver

From

Company
Reference
Address
Phone
Fax
E-mail

EVOSTA2 40-70/130 1/2"



Dimensions in mm

Pump connection

1	B	134,6							
2	B1	35,5							Suction
3	B2	99,1							1" G
4	F	1"							1 MPa
5	H	91							Discharge
6	L	130							1" G
7	L1	96							1 MPa
8									
9									
10									
11									

MAIN_PROJECT_TITLE

BUSINESS_PROCESS_ID

OWNER

ISSUE_DATE

2023-08-24