

Receiver

From

Company
Reference
Address
Phone
Fax
E-mail

Item no. 103040080
Customer pos. no.:

Model:
FEKA VS 1000 M - A

Pump data

Free passage : 50 mm
Pressure rating :
Min. fluid temperature : 0
Max. fluid temperature : 50 °C
Max. Temperature operating : 40 °C

Requested data

Flow :
Head :
Fluid : Water
Fluid Temperature : 20 °C
Density : 998,3 kg/m³
Kinematische viscositeit: 1,005 mm²/s
Dampspanning: 0,00234 MPa

Hydraulic data (duty point)

Flow :
Head :

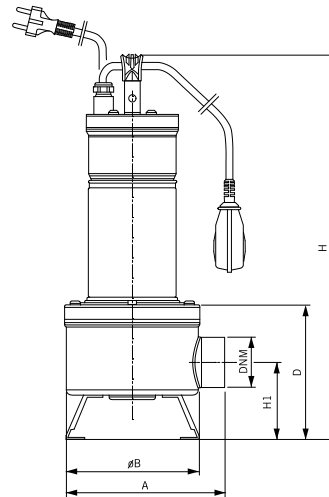
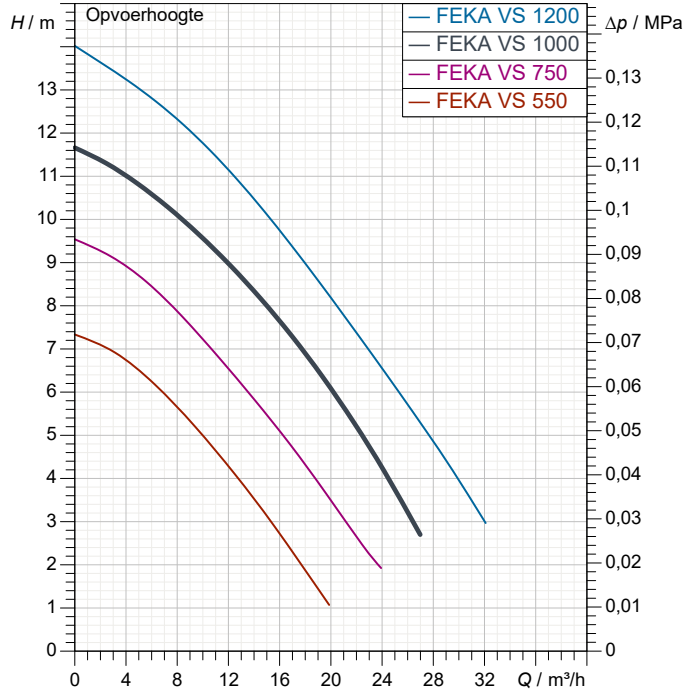
Materials

Pump body : Stainless Steel (AISI 304)
Impeller : Stainless Steel (AISI 304)
Motor shaft : AISI 316
Seal disk : Stainless Steel (AISI 304)
Motor casing : Stainless Steel (AISI 304)
Mechanical seal pump side : Silicon carbide/Silicon carbide
Mechanical seal motor side : Carbon/Alumina

Motor data

Merk : DAB
Nominal power P2: 1 kW
Rated speed: 2.800 1/min
Rated voltage : 1~ 220-240 V 50 Hz
Nominal current : 6,63 A
Degree of protection : IP 68

Curve tolerance according to ISO 9906



Gewicht: 19,3 kg

Dimension mm

A	203				
B	170				
D	172				
DNM	2" F				
H	537				
H1	98				

Pump connection

Suction side : /
Discharge side : 2" GAS / --

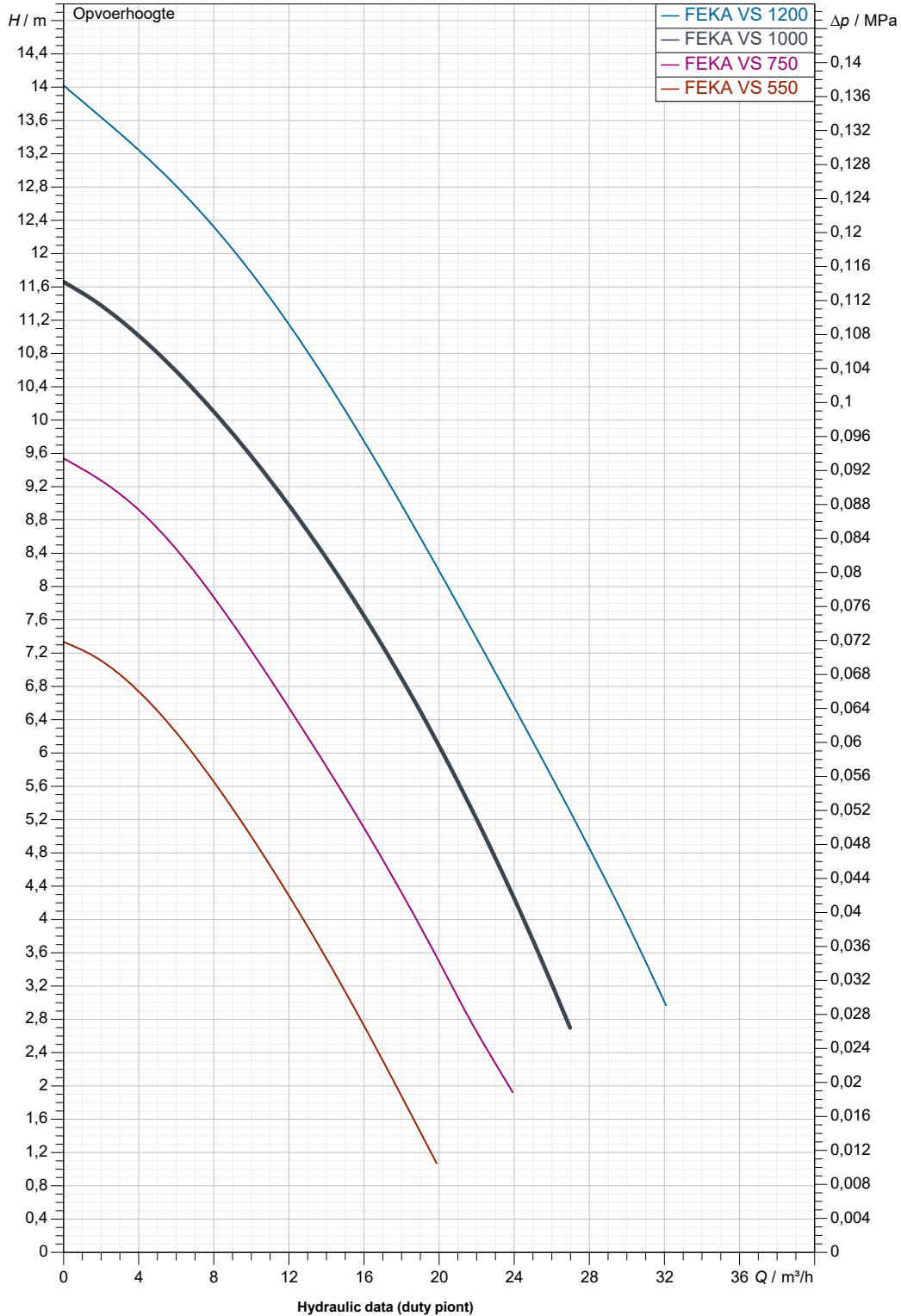
Receiver

From

 Company
 Reference
 Address
 Phone
 Fax
 E-mail

FEKA VS 1000 M - A

Curve tolerance according to ISO 9906



Suction side

 Discharge side
 2" GAS
 --

Flow :

Head :

 Rated speed:
 2.800 1/min

MAIN_PROJECT_TITLE

BUSINESS_PROCESS_ID

OWNER_

 ISSUE_DATE
2023-08-03



DIMENSIONAL DRAWING

2023-08-03

Pagina 3 / 3

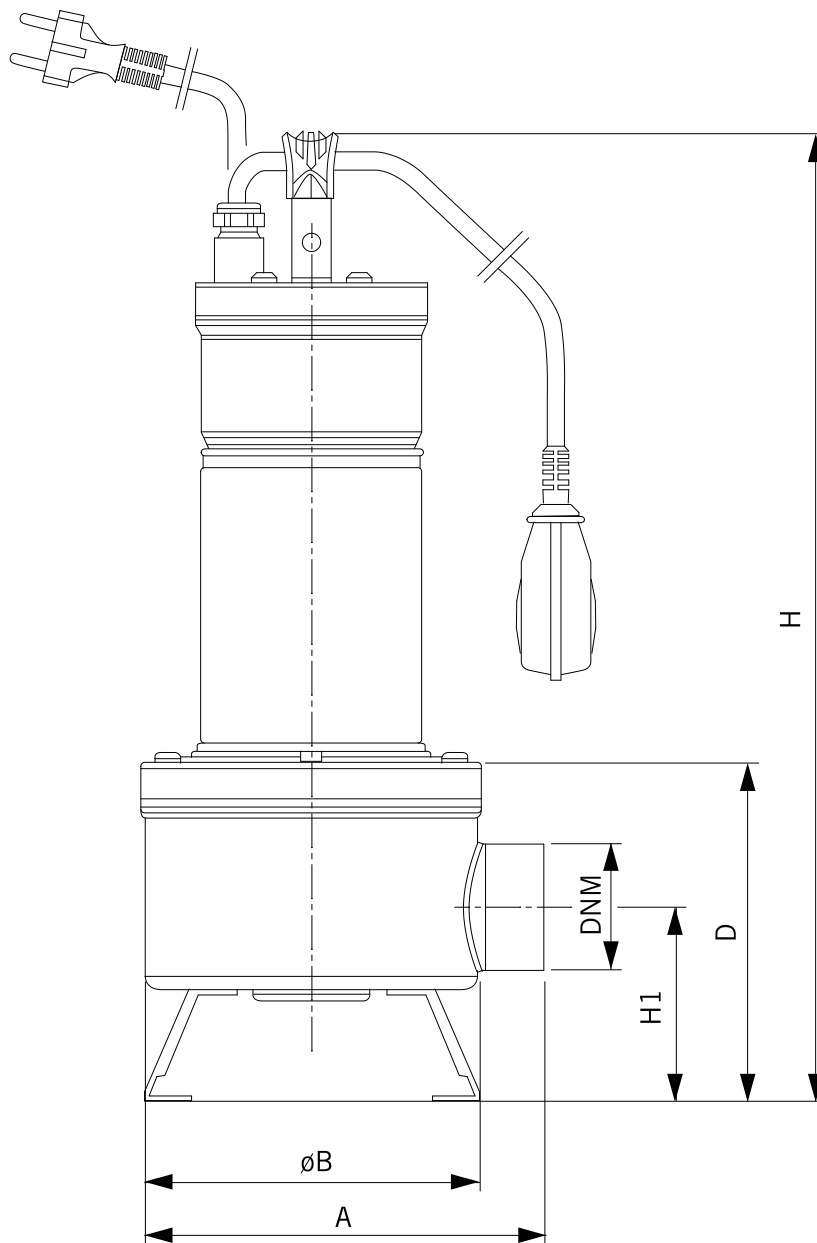
DAB PUMPS S.p.A.
Via Marco Polo, 14 - 35035 Mestrino (PD), Italy
Tel. +39 049 5125000 - Fax +39 049 5125950
www.dabpumps.com

Receiver

From

Company
Reference
Address
Phone
Fax
E-mail

FEKA VS 1000 M - A



Dimensions in mm

Pump connection

1
2
3
4
5
6
7
8
9
10
11

A 203
B 170
D 172
DNM 2" F
H 537
H1 98

Suction

Discharge
2" GAS
--

MAIN_PROJECT_TITLE

BUSINESS_PROCESS_ID

OWNER

ISSUE_DATE

2023-08-03